



Safety Instructions

1, 2, 3, 4, 5, 7, 11, 13, 24,
28, 33, 34



Info Hotline



+49 (0) 5041 998 389

Mon. - Do. 7⁰⁰ - 20⁰⁰

Fr. 7⁰⁰ - 17⁰⁰

Paulmann Licht GmbH
Quezinger Feld 2
31832 Springe
Germany

www.paulmann.com

Art.-Nr. : 666.93
(+MA 326) PEA 04/16



1X



1X



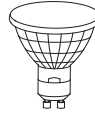
2X



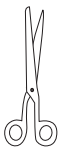
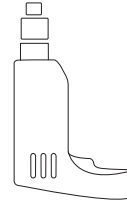
2X



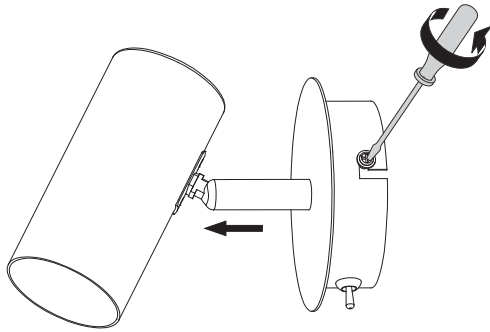
not incl.
max. 10W
GU10 LED



Paulmann
Art.-Nr. 283.00
www.paulmann.com



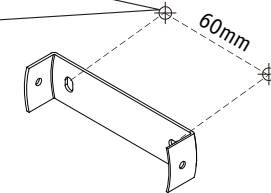
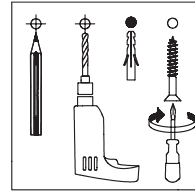
A



B



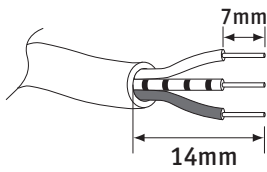
Safety
Instructions
Nr. 5,7



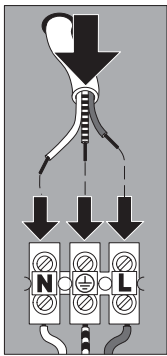
C



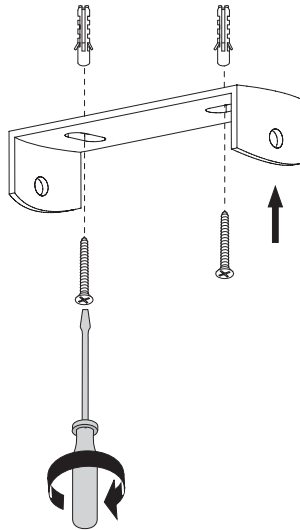
Safety
Instructions
Nr. 5,28



230V



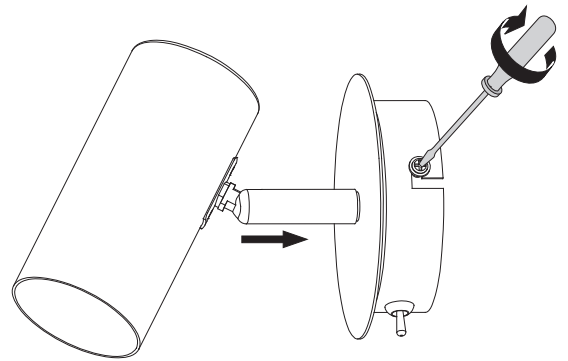
D



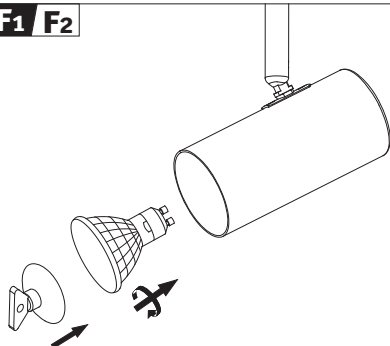
E



Safety
Instructions
Nr. 5



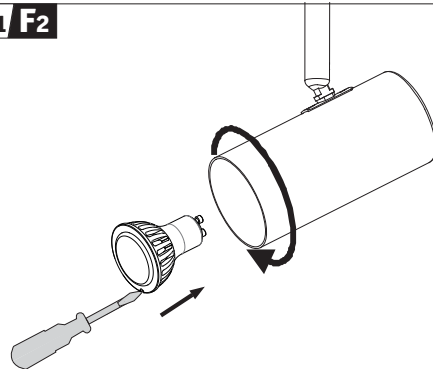
F1 F2



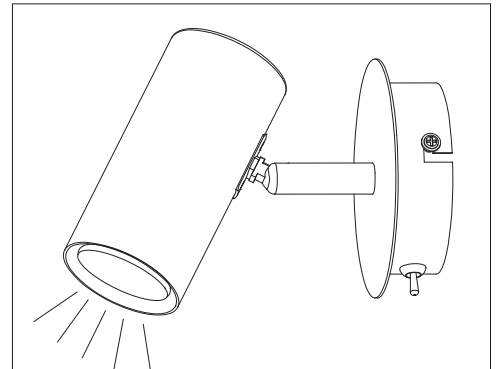
Safety
Instructions
Nr. 5



F1 F2



Safety
Instructions
Nr. 5



on